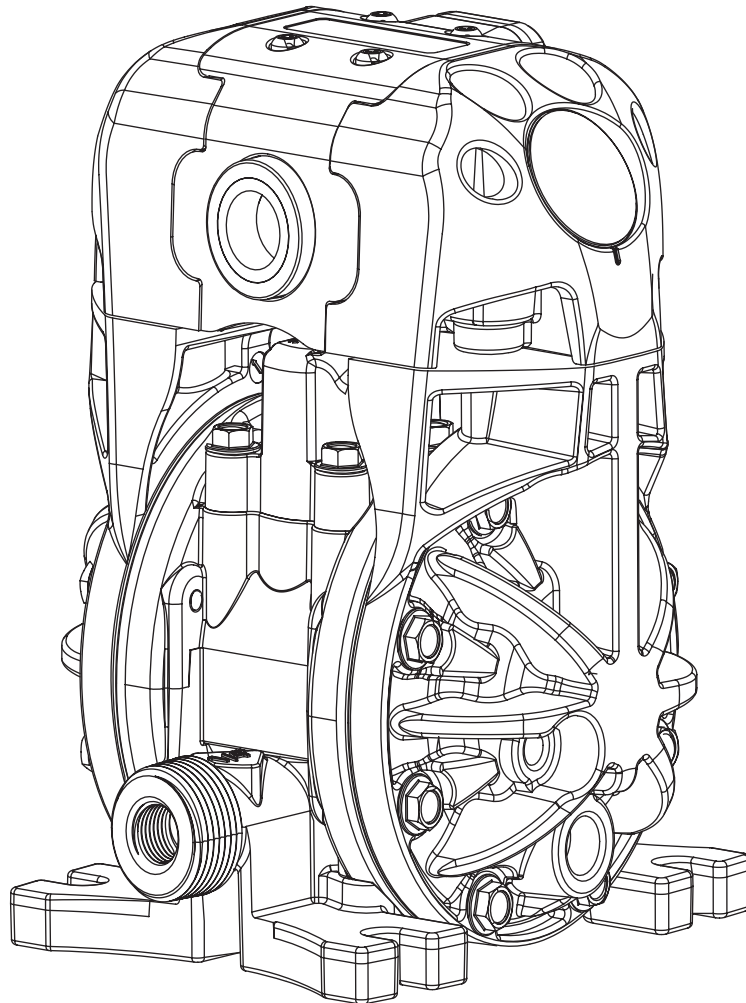


Parts and technical service guide  
Guía de servicio técnico y recambio



2019\_11\_06-13:00

<b>EN</b>	1/4" DOUBLE DIAPHRAGM PUMP DC20, 20 l/min (5,28 US gal/min)	<b>1</b>
<b>ES</b>	BOMBA DE DOBLE MEMBRANA 1/4" DC20, 20 l/min (5,28 US gal/min)	<b>12</b>

# CODING / CODIFICACIÓN

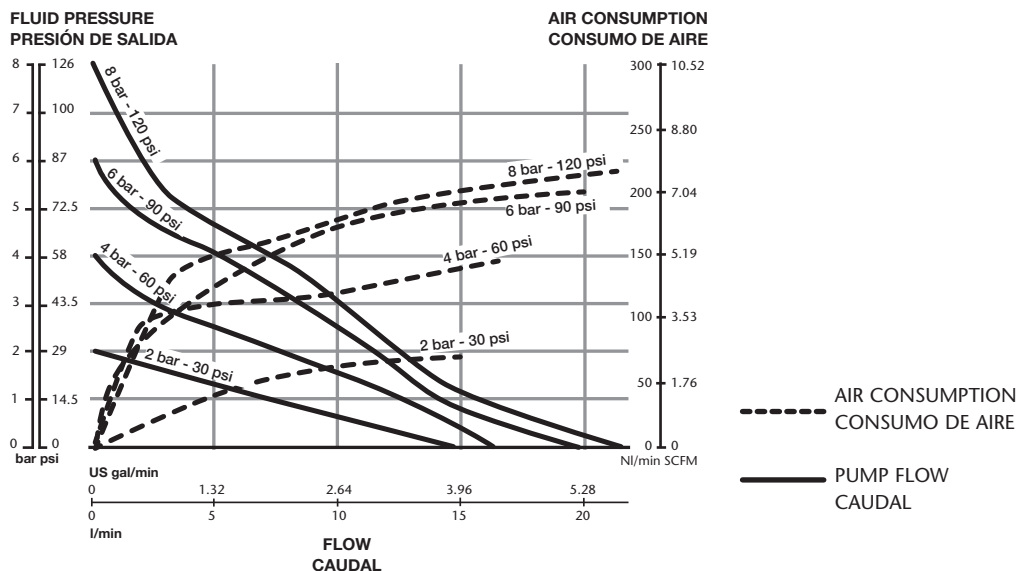
DC20	X	X	X	X	X	X	X	X	X
<b>AIR VALVE</b> P Polypropylene	<b>BODY PUMP</b> P Polypropylene B Conductive PP C POM D Conductive POM W PVDF K Conductive PVDF	<b>PUSH ROD</b> S Stainless steel Y Hastelloy® C	<b>SEALS</b> V FKM E EPDM T PTFE	<b>SEATS</b> P Polypropylene C POM W PVDF M Santoprene® H Hytrel®	<b>BALLS</b> T PTFE C POM	<b>DIAPHRAGMS</b> H Hytrel® T PTFE M Santoprene®	<b>CONNECTIONS</b> B BSP N NPT	<b>OPTIONS</b> A Standard pump C Diaphragm leak detector D Cycle sensor E Externally controlled with solenoid valve (not included) F Nose muffler included G Externally controlled with solenoid valve (not included) and inductive end of stroke sensors NPN (included) I Externally controlled with solenoid valve (not included) and inductive end of stroke sensors ATEX-Namur (included) U Pump suitable for UV fluids	

## TECHNICAL DATA / DATOS TÉCNICOS

		DC20
RATIO	RATIO	<b>1:1</b>
MAXIMUM FREE FLOW	MÁXIMO CAUDAL SALIDA LIBRE	<b>5,28 Us gal/min (20 l/min)</b>
AIR PRESSURE OPERATING RANGE	RANGO DE PRESIÓN	<b>22 to 115 psi (1,5 a 7 bar)</b>
SOLID IN SUSPENSION MAX SIZE	MAX. TAMAÑO DE PARTÍCULAS EN SUSPENSIÓN	<b>3/32" (2 mm)</b>
MAXIMUM SUCTION HEAD	ALTURA MÁXIMA DE SUCCIÓN	<b>6 1/2" ft (2 m) dry, 23 ft (7 m) wet 6 1/2" ft (2 m) seco, 23 ft (7 m) húmedo</b>
WEIGHT	PESO	<b>2,65 lb (1,2 kg)</b>
FLUID INLET/OUTLET CONNECTIONS	ENTRADA DE FLUIDO/CONEXIONES DE SALIDA	<b>1/4" BSP (F) or NPT (F) 3/4" NPT (M)</b>
AIR INLET	ENTRADA DE AIRE	<b>3/8" NPSM (F)</b>
TEMPERATURE RANGE	RANGO DE TEMPERATURAS DE TRABAJO	<b>32 -158 °F (0 - 70 °C)</b>

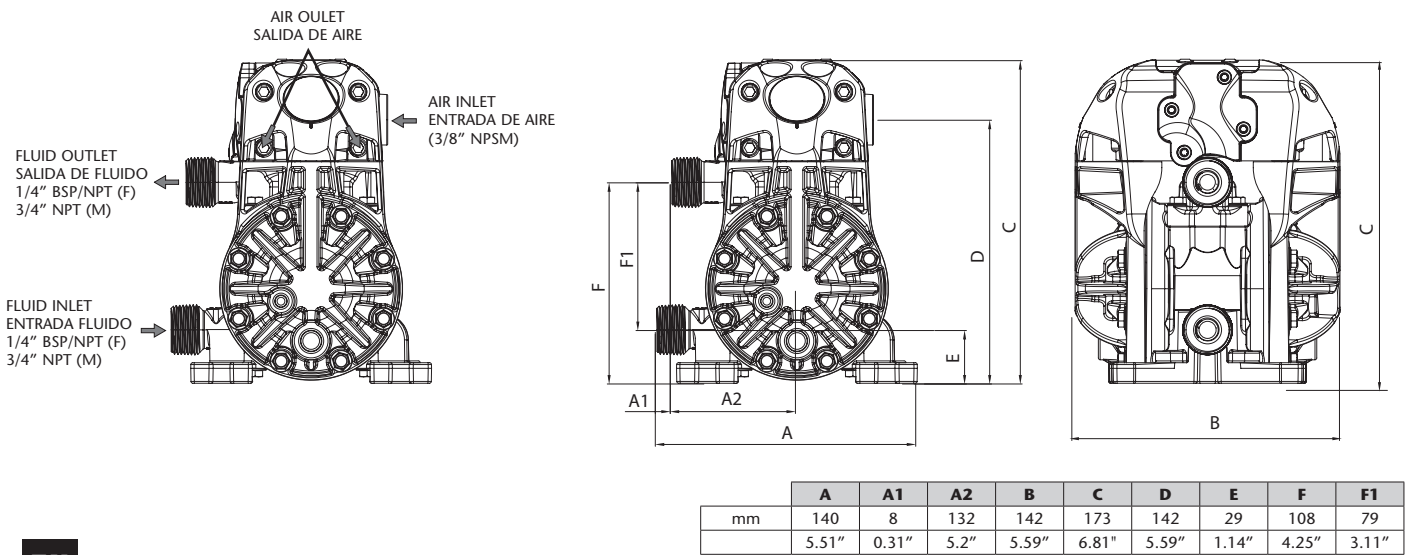
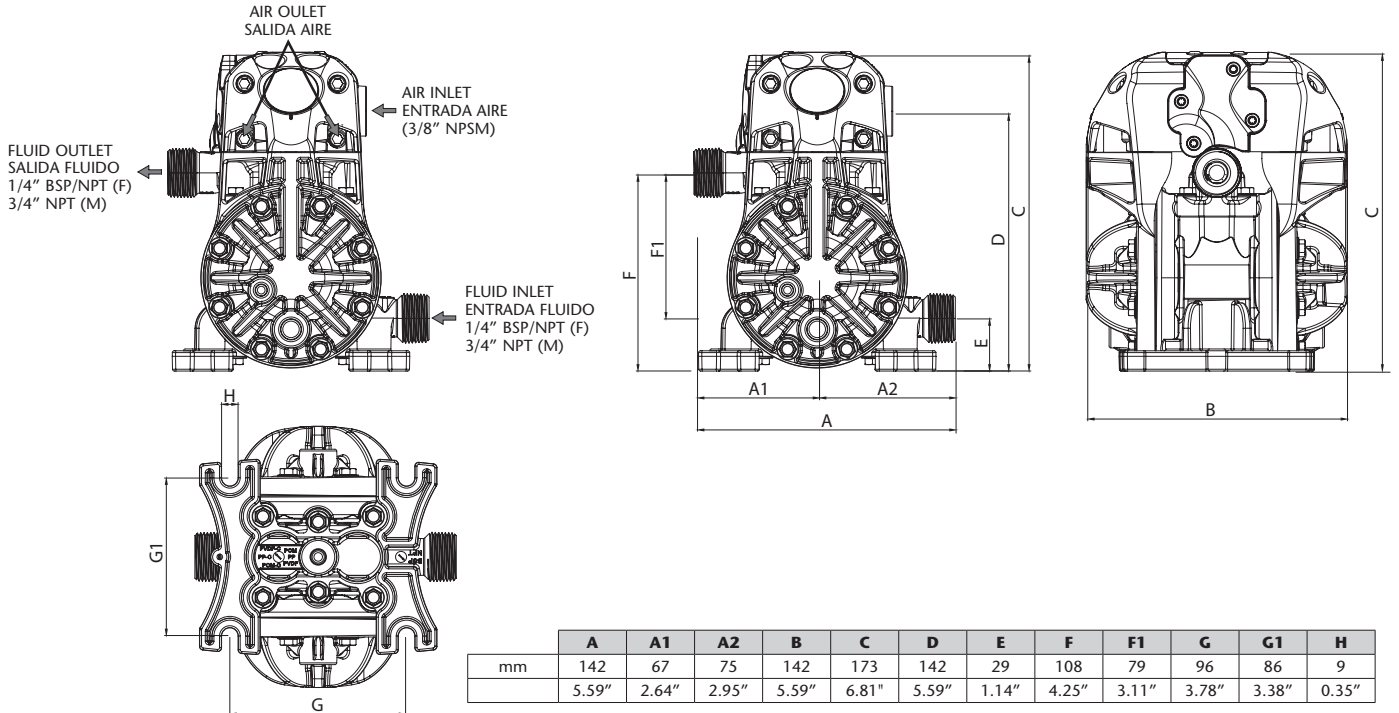
(oz, ft, gal/min) all in EEUU units.  
(oz, ft, gal/min) todo en unidades EEUU.

## CAPACITY CURVES / CURVAS DE CAPACIDAD



Tested at room temperature, using water. Flooded pump with 3.5 inches (80 mm), positive suction head.  
Ensayo realizado con agua a temperatura ambiente y bomba inundada en 80 mm de succión positiva.

# DIMENSIONS / DIMENSIONES



2019\_11\_06-13:00

## EN

**IMPORTANT:** When doing a pump maintenance that implies manifold disassembling and pump is fitted with PTFE o-rings (white colour), they must be replaced by new ones in order to avoid fluid leakages".

## ES

**IMPORTANTE:** Cuando realice un mantenimiento en la bomba que implique desmontaje de los colectores y la bomba esté configurada con juntas de PTFE (color blanco), estas tienen que ser reemplazadas por unas nuevas con objeto de evitar fugas de fluido".

## WARNINGS AND CAUTIONS

In this document you will find warnings and cautions for installation, use and maintenance of the pumps.

Here's the meaning of symbols you may find in this document and general warnings that you should keep in mind.



**WARNING:** This symbol aware that there is a danger of serious bodily injury or death if you ignore the warning described.

**CAUTION:** This symbol aware that there is a danger of personal injury or property damage if you ignore the caution described.



**WARNING: CAREFULLY READ THE INSTRUCTIONS AND WARNINGS BEFORE OPERATING THE EQUIPMENT!**

- This equipment is for professional use only.
- Do not degrade the integrity of the equipment. Use only original replacement components from Samoa Industrial, S.A.
- Fluids not suitable for the pump can cause damage to the pump unit and involve risk of serious personal injury.
- Always consult Samoa Industrial, S.A. if you have any questions about the compatibility within the fluids and the pump materials, including elastomers.
- Install and use the pump according to all local and national regulations and abide all health and safety laws or legislation.
- The pump can produce fluid pressures equal to the air supply pressure. Do not exceed the maximum allowable pressure of 115 psi (7 bar) air supply. The total hydraulic pressure (differential pressure + system) should never exceed 115 psi (7 bar).
- Never use a pump that leaks, that is damaged, that is corroded or otherwise it may lack the capacity to contain the fluid.
- Frequently check that the bolts on the diaphragm cover of the pump are torqued correctly.
- Do not use a model with aluminium wetted surfaces to pump fluids for human consumption, there is a possibility of trace contamination of lead.
- Danger of explosion if used 1,1,1-trichloroethane, methylene chloride or other halogenated hydrocarbon solvents with aluminium wetted materials. It could cause serious injury and property damage.
- Inside the pump, diaphragms separate the fluid that is being pumped from the air supply. If a diaphragm breaks, the fluid can leak out of the air exhaust and contaminate the environment.
- When handling hazardous fluids, always route the air exhaust into a suitable container and locate it in a safe place.
- When the fluid source level is situated higher than the pump, (flooded suction), the outlet tank must be at a higher level than the product to prevent spills.
- For pumps handling hazardous fluids that are a danger to humans or to the environment, install a suitable container surrounding the pump to prevent any leaks or spills.
- Ensure that the operators of this equipment are trained on the operation and limitations. Use safety equipment as safety goggles or other equipment required.

## DESCRIPTION

Air operated double diaphragm pumps are air-powered, reciprocating positive displacement pumps with two pumping chambers. Two diaphragms, centrally located in the chambers, separate the compressed air (dry side) from the fluid being pumped (wet side). A shaft transmits the reciprocating motion of one diaphragm to the other. A directional valve alternatively distributes the air from one chamber to the other; thus a reciprocating movement of the diaphragms is created. With each stroke, fluid is discharged by one of the diaphragms whilst the opposite diaphragm sucks new fluid into the expanding chamber. Check valves, two on the discharge side and two on the suction side, control and direct the fluid flow.

MATERIAL	TEMPERATURE RANGE
PTFE	5 °C - 105 °C / 41 °F - 221 °F
NBR	10 °C - 80 °C / 50 °F - 176 °F
Acetal	10 °C - 90 °C / 50 °F - 194 °F
Hytrel®	10 °C - 90 °C / 50 °F - 194 °F
Santoprene®	-29 °C - 135 °C / -20 °F - 275 °F
Viton®	-10 °C - 120 °C / -4 °F - 248 °F
Polypropylene	10 °C - 80 °C / 50 °F - 176 °F

## INSTALLATION

- Remove the pump from its package and install it on the chosen location.
- Try to minimize the suction head. Install the pump as close as possible to the fluid being pumped.
- Remember to have enough space around the pump to perform maintenance tasks.
- Keep in mind to connect the inlet and outlet of the pump correctly.
- In case of diaphragm pump failure, the air exhaust will expel the product being pumped.
- When the pump is installed in a place where a spill of fluid can cause an environmental impact, the exhaust should be directed to a place where this spill could be contained.
- When installing the pump in its place, use brackets to secure its base.
- Fasten all bolts with the torques contained in this manual.

**DC PUMPS ARE VERY EASILY CONFIGURED AND EASY TO INSTALL.**

### FLOODED:

The pumping system was designed with positive pressure at the inlet. This is the best possible installation when you need to evacuate the liquid from the drum or tank, or when working with viscous fluids.

Not recommended for hazardous fluids.

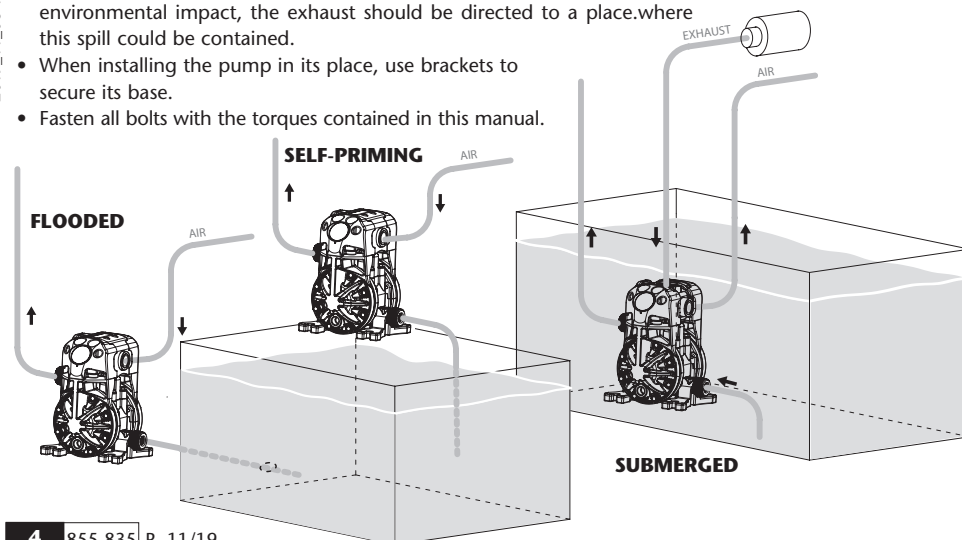
### SELF-PRIMING:

Pump is designed to generate vacuum. It is possible to evacuate all the air from a hose or pipe without damaging the pump. Maximum suction height is 6 1/2" (2 m), with the suction hose empty and up to 23" (7 m) with the hose primed. (See page 1 for corresponds suction lift).

### SUBMERGED:

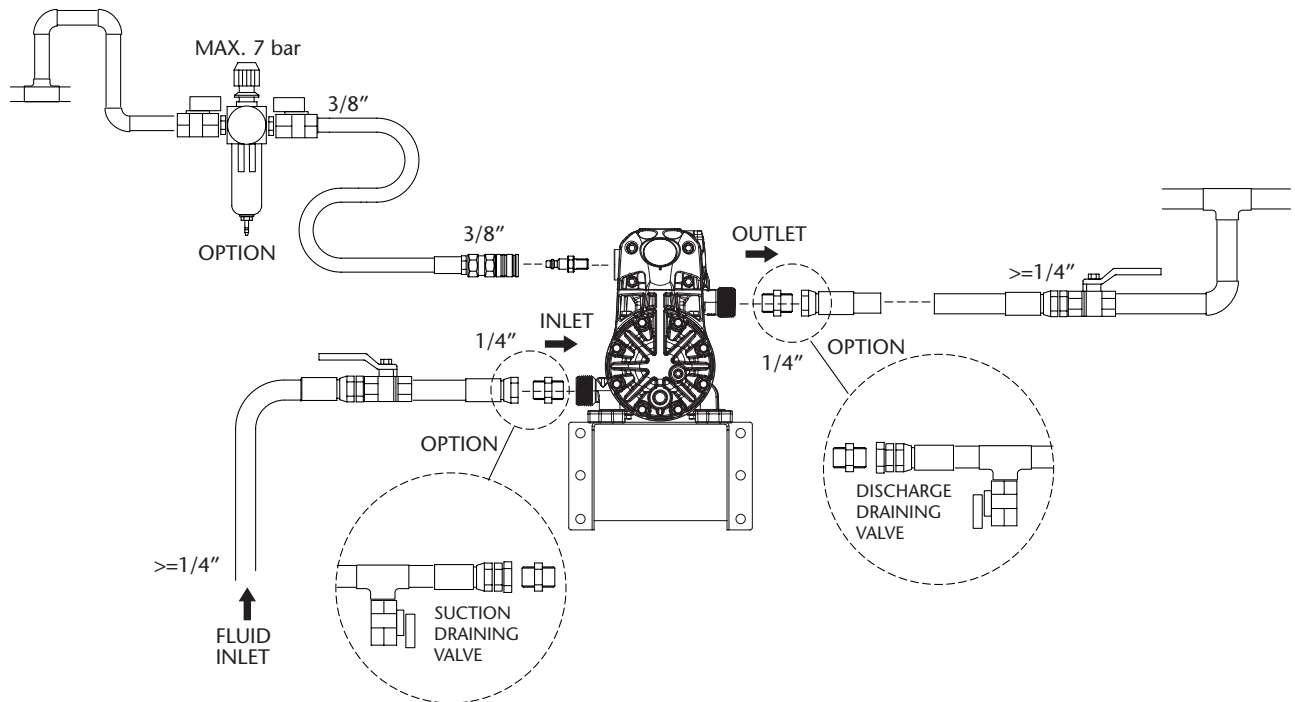
All pumps can be immersed in fluids. It is important to verify that all components that are in contact with the fluid are chemically compatible. In this case, air exhaust and fluid must be carried by hoses (optional air connection).

**NOTE:** Use a pressure regulator with built-in filter inlet.



## INSTALLATION

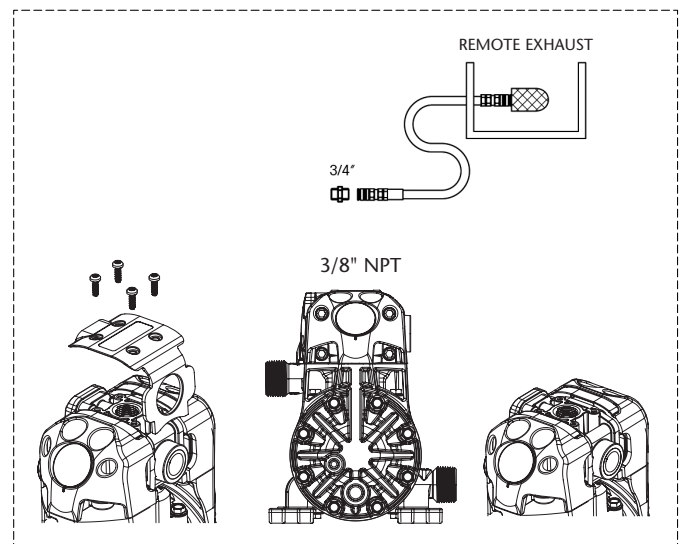
### RECOMMENDED INSTALLATION



### AIR EXHAUST DISPOSAL

#### **WARNING**

- Optional kit is required for remote exhaust.
- Unscrew the 4 bolts and remove the air cap.
- Connect a hose to the new exhaust port and install the muffler at the end of the hose. Use a hose with the same diameter as the exhaust port 3/8" NPT. (If the hose is more than 5 feet (1.5 m), consult your dealer or Samoa Industrial, S.A.).
- Have a moat, a protective housing, etc. at the end of the hose.



2019\_11\_06-13:00

### AIR CONNECTION

#### **WARNING**

To ensure that the air supply is sufficient to meet the demand of the pump, the diameter of the pipe must be equal to the diameter of the supply port of the pump. Choose auxiliary air treatment equipment and fittings with sufficient airflow to exceed the air consumption of the pump. In addition,

peripheral air treatment equipment must be installed as close as possible to the pump unit.

The use of a coupler to connect the hoses aids future operation and maintenance tasks.

## OPERATING INSTRUCTIONS

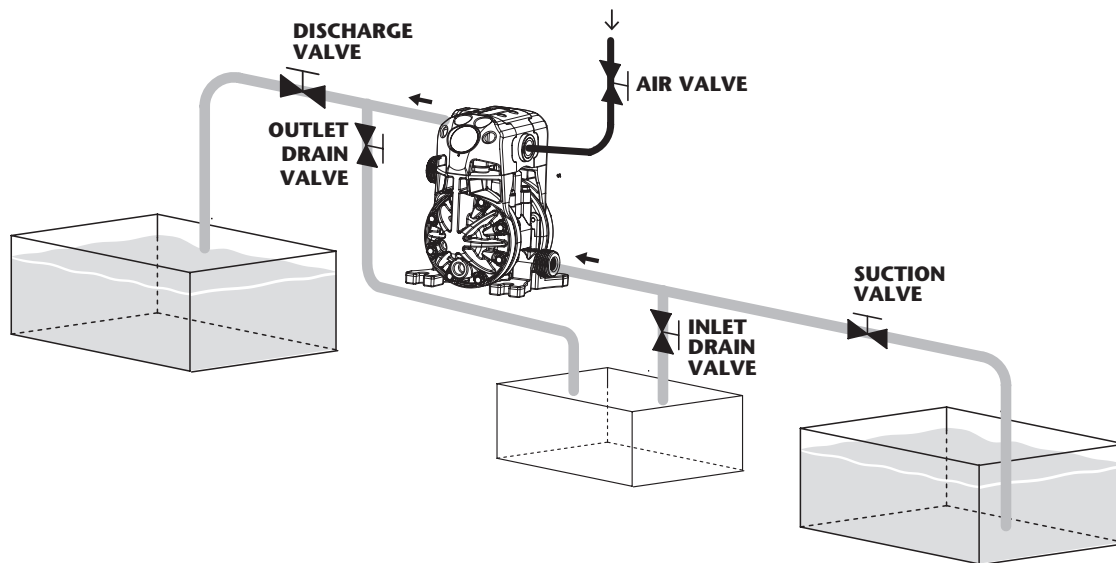
### THIS PUMP IS SELF-PRIMING.

To prime it the first time, you must connect the air pump supply to a low pressure using the pressure regulators while keeping the outlet valve open. When fluid begins to flow from the pump outlet, the pump is primed. For regulation of fluid pressure, the unit must be supplied with an air pressure

between 14 and 100 psi (1 and 7 bar). Adjust the discharge valve on the discharge side to control flow. For the performance characteristics of the pump see the capacity curve shown on page 3.

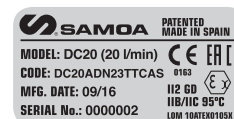
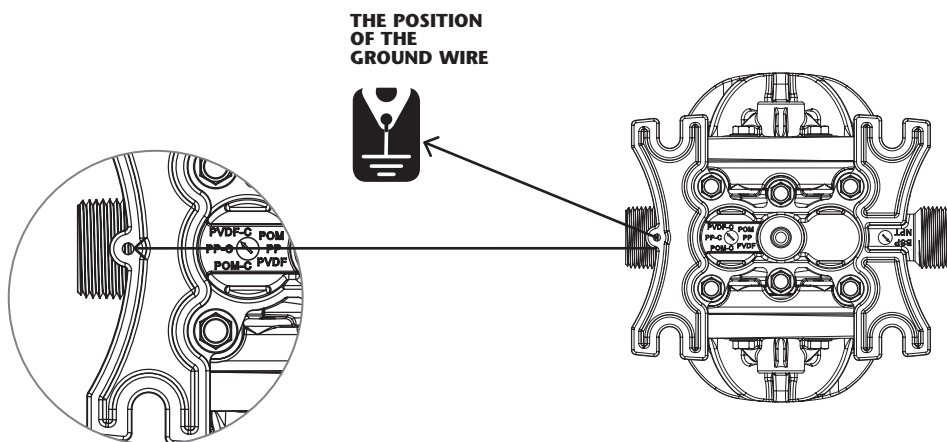
### STOPPING THE PUMP FOR MAINTENANCE TASKS

- Stop the air supply.
- Make sure for your safety that the air valve is closed.
- Turn off the air compressor, or close the valve on the air supply side of the auxiliary equipment.
- Close the discharge valve and the suction valve. Open inlet and outlet drain valves.
- Open the air valve of the pump, running bring on the pump and flushing the remaining fluid.
- Close the air valve.
- After ensuring that the pump was turned off and the pressure was released, pump is ready for its maintenance.



### GROUNDING THE PUMP

- When installing the pump, be sure to perform grounding in the specified location.
- Also connect ground wires for the auxiliary equipment and piping.
- Use a grounding cable of at least 12 gauge (2.0 mm<sup>2</sup>).
- If the pump you have purchased is valid for Atex, a specific Atex manual will accompany this one. Read this manual before operating the pump.
- If the unit is marked with the symbol,  $\text{Ex}$  it can be used in potentially explosive atmospheres. Below this symbol, in the nameplate of the pump, are indicated the areas for which the equipment is approved. You will also find the maximum allowable surface temperature in the same plate.



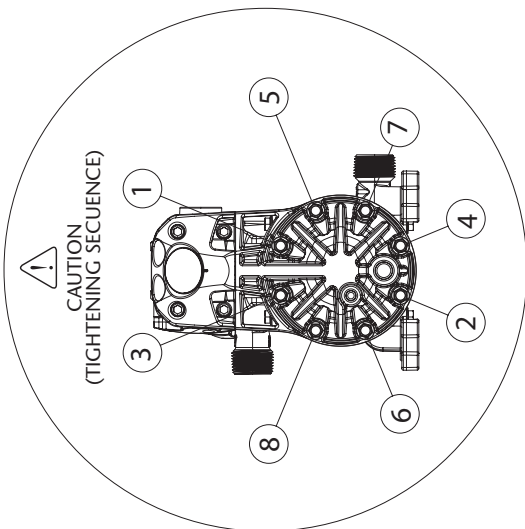
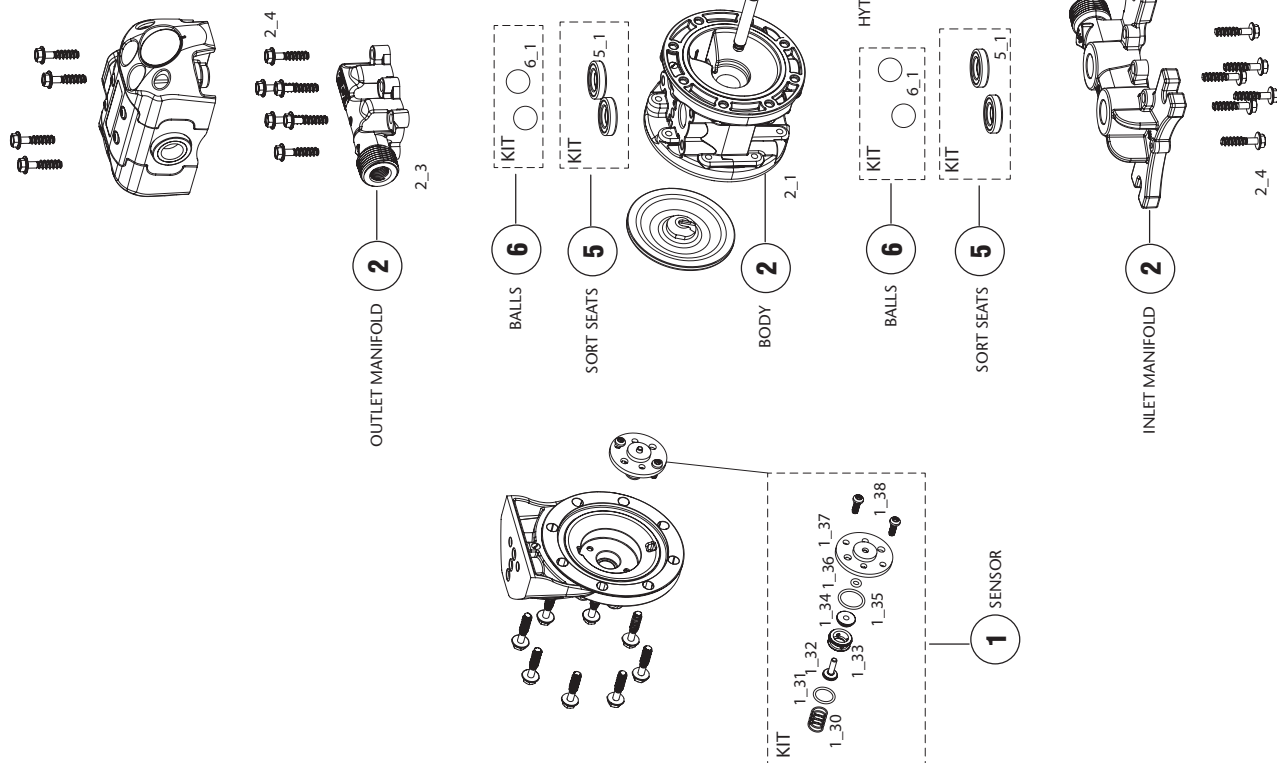
### WARNING

- Connect grounding wires to the pump, piping and all other equipment too.
- When the pump operates ungrounded or with an incorrect connection, friction between parts and abrasion caused by some fluids that flow inside the pump, can generate static electricity. Moreover, according to the type of fluid pump and the installation environment (such as gases in the air or the type of the surrounding facilities) static electricity can cause fire or electric shock.

## TROUBLESHOOTING

<b>THE PUMP DOES NOT WORK</b>	
<b>Cause</b>	<b>Recommended measure</b>
The discharge valve on the discharge side is not open.	Open the discharge valve on the discharge side.
No air supply.	Turn on the compressor and open the air valve and air regulator.
The air supply pressure is low.	Check the compressor and the configuration of the air line.
Air leaks in connecting elements.	Check the connection elements and the tightening of the screws.
The air pipes or ancillary equipment is clogged with mud.	Check and clean the air line.
The exhaust port (muffler) of the pump is clogged with mud.	Check and clean the exhaust port and muffler.
The fluid pipe is clogged with mud.	Check and clean the fluid line.
Pump is clogged with mud.	Remove, inspect and clean the pump body.
<b>THE PUMP RUNS BUT NO FLUID COMES OUT</b>	
<b>Cause</b>	<b>Recommended measure</b>
The valve on the suction side is not open.	Open the valve on the suction side.
Too much suction or discharge height.	Confirm the configuration of the pipe and reduce the height of the same.
Fluid pipe discharge side (including the filter) is clogged with mud.	Check and clean the fluid line.
Pump is clogged with mud.	Dismantle the pump, check and clean.
The ball and ball seat is worn or damaged.	Inspect and replace parts.
<b>THE FLOW IS DECREASING</b>	
<b>Cause</b>	<b>Recommended measure</b>
The air supply pressure is low.	Check the compressor and the configuration of the air line.
The air line or peripheral equipment clogged with mud.	Check and clean the air line.
Valve discharge side drive will not open normally.	Adjust the discharge valve discharge side.
The air mixes with the fluid.	Replenish fluid and check the configuration of the pipe on the suction side.
Cavitation occurs.	Adjust air supply pressure and discharge pressure and reduce the suction.
Vibrations.	Adjust air supply pressure and discharge pressure. Reduce the flow of the inlet valve to adjust pressure and volume of fluid.
Ice formation in the air exhaust.	Remove ice from the air bypass valve and check and clean the air filter. Use a pipe in the exhaust air that the ice does not form in the muffler.
The fluid line (including the filter) plugged with mud.	Check and clean the fluid pipe and strainer.
The exhaust port (muffler) of the pump is clogged with mud.	Check and clean the exhaust port and muffler.
Pump is clogged with mud.	Remove, inspect and clean the pump body.
<b>LEAKAGE OF FLUID THROUGH THE HOLLOW EXHAUST (SILENCER)</b>	
<b>Cause</b>	<b>Recommended measure</b>
The diaphragm is damaged.	Remove and inspect the pump and replace the diaphragm.
<b>IRREGULAR NOISE</b>	
<b>Cause</b>	<b>Recommended measure</b>
The air supply pressure is too high.	Adjust air supply pressure.
The pump is clogged with sludge particles larger than the diameter allowed.	Remove, check and clean the pump body.
<b>IRREGULAR VIBRATION</b>	
<b>Cause</b>	<b>Recommended measure</b>
The elements of connection and the support of the pump are loose.	Review each element of connection and tighten the screws.
The air supply pressure is too high.	Adjust air supply pressure.
The range and ball valve vibrates.	Adjust air supply pressure and exhaust pressure.
<b>IN FLUID WITH AIR BUBBLES</b>	
<b>Cause</b>	<b>Recommended measure</b>
Diaphragm damaged.	Replace diaphragm.
Suction hose loose or broken.	Tighten or replace.
<b>POWERED AIR LEAK PRESSURE OF 3 TO 8 BAR</b>	
<b>Cause</b>	<b>Recommended measure</b>
Wear directional valve.	Replace directional valve components.
<b>NO START-UP AND IS LEAKING AIR WITHOUT CYCLES</b>	
<b>Cause</b>	<b>Recommended measure</b>
Stiff air sensors.	Change air sensor.
Wear directional valve.	Replace.

PLASTIC PUMP PARTS DRAWING DC20



REGULAR MAINTENANCE SCREWS AND TOOLS

SCREW TYPE	REQUIRED TOOL
DIRECTIONAL VALVE	
FLUID MANIFOLDS (Valve, seat and seals)	Flanged hex head screw
DIAPHRAGM COVERS (Diaphragm and central pushing rod)	Socket wrench Metric: 8 mm Standard: 5/16"

\*Further maintenance (Air Sensors and Spool valve) will require a T20 Torx screwdriver



# PLASTIC PUMP PARTS DRAWING DC20

<b>DC20</b>	<b>X</b>	<b>X</b>	<b>X</b>	<b>X</b>	<b>X</b>	<b>X</b>	<b>X</b>	<b>X</b>	<b>X</b>	<b>X</b>	<b>X</b>	<b>X</b>
	<b>1</b>	<b>2</b>	<b>3</b>	<b>4</b>	<b>5</b>	<b>6</b>	<b>7</b>	<b>8</b>	<b>9</b>			
	<b>AIR VALVE</b>	<b>BODY PUMP</b>	<b>PUSH ROD</b>	<b>SEALS</b>	<b>SEATS</b>	<b>BALLS</b>	<b>DIAPHRAGMS</b>	<b>CONNECTIONS</b>	<b>OPTIONS</b>			
	P Polypropylene	P Polypropylene B Conductive Pp C POM D Conductive POM W PVDF K Conductive PVDF	S Stainless steel Y Hastelloy® C	V FKM E EPDM T PTFE	P Polypropylene C POM M Santoprene® H Hytrel®	T PTFE C POM	H Hytrel® T PTFE M Santoprene®	B BSP N NPT	A Standard pump C Diaphragm leak detector D Cycle sensor E Externally controlled with solenoid valve (not included) F Nose muffler included G Externally controlled with solenoid valve (not included) and inductive end of stroke sensors NPN (included) I Externally controlled with solenoid valve (not included) and inductive end of stroke sensors ATEX-Namur (included) U BPump suitable for UV fluids			

<b>1</b>	<b>AIR VALVE</b>	
	<b>AIR VALVE</b>	<b>AIR SENSORS</b>
P	POS 1_1 a 1_9 558623	POS 1_30 a 1_38 558624
<b>2</b>	<b>CENTRAL BODY AND MANIFLOD</b>	
	<b>INLET MANIFLOD</b>	<b>OUTLET MANIFLOD</b>
	POS 2_1	POS 2_2
	BSP (threads)	NPT (threads)
P	894692	894697
B	894693	894699
C	N/A	N/A
D	894694	894701
W	894695	894703
K	894696	894705
		POS 2_3
		BSP (threads)
		NPT (threads)
		894698
		894700
		N/A
		894702
		894704
		894706

<b>3</b>	<b>PUSH ROD</b>	<b>SEALS</b>	<b>CÓD. KIT</b>	<b>PUSH ROD REPAIR KIT</b>
	S	V	ATEX PUMP	NO ATEX PUMP
	S	E	558600	558605
	S	T	558601	558606
	Y	V	558602	558607
	Y	T	558603	558608
			558604	558609
<b>4</b>	<b>SEALS</b>	<b>CÓD. KIT</b>	<b>SEATS VALVE REPAIR KIT</b>	
	P	V	558610	556115
	P	E	558611	
	P	T	558612	
	C	V	558613	
	C	E	558614	
	C	T	558615	
	W	T	558616	
	H	-	558617	
	M	-	558618	
<b>5</b>	<b>SEATS</b>	<b>CÓD. KIT</b>	<b>SEATS VALVE REPAIR KIT</b>	
	P	V	558610	556115
	P	E	558611	
	P	T	558612	
	C	V	558613	
	C	E	558614	
	C	T	558615	
	W	T	558616	
	H	-	558617	
	M	-	558618	

## TECHNICAL CHARACTERISTICS LABEL

**SAMOA** REGISTERED TRADE MARK

MODEL: DC20 (20 l/min - 5.3 gal/min)

WFE, DATE: \_\_\_\_\_

SERIAL No.: \_\_\_\_\_

**CE** **EH**

[www.samoaindustrial.com](http://www.samoaindustrial.com)

AIR PRESSURE RANGE:  
1.5 - 7 bar / 22 - 102 psi

MAX. FLUID PRESS.: \_\_\_\_\_

FLUID IN / OUT: \_\_\_\_\_

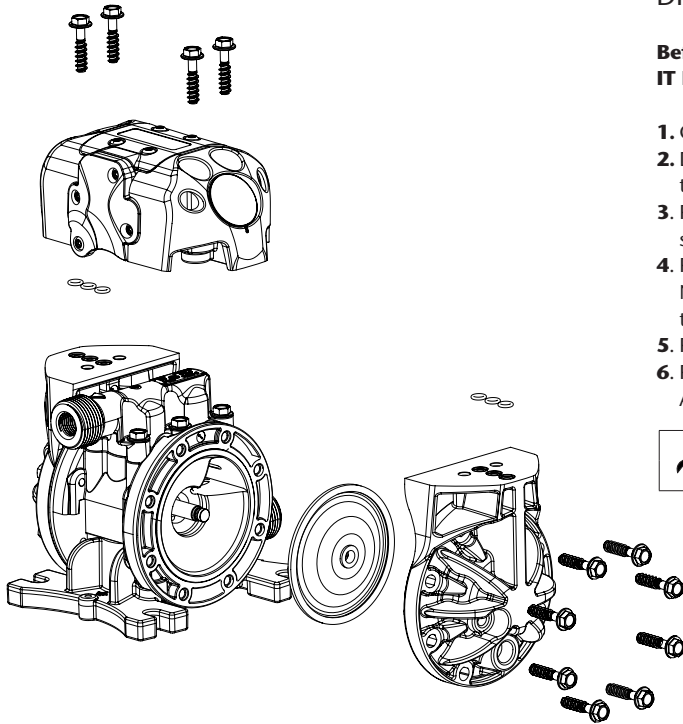
MODEL: 556XXX (numerical coding)  
DC20XXXXXXXXXX (alphanumeric coding)

<b>6</b>	<b>BALLS VALVE REPAIR KIT</b>
	<b>CÓD. KIT</b>
C	558321
T	558319
<b>7</b>	<b>DIAPHRAGMS</b>
	<b>CÓD. KIT</b>
T	(1) 558619
M	(2) 558620
H	558621
	558622


(1) For pump fitted with stainless steel central pushing rod.  
(2) For pump fitted with hastelloy C central pushing rod.

DIAPHRAGM REPLACEMENT

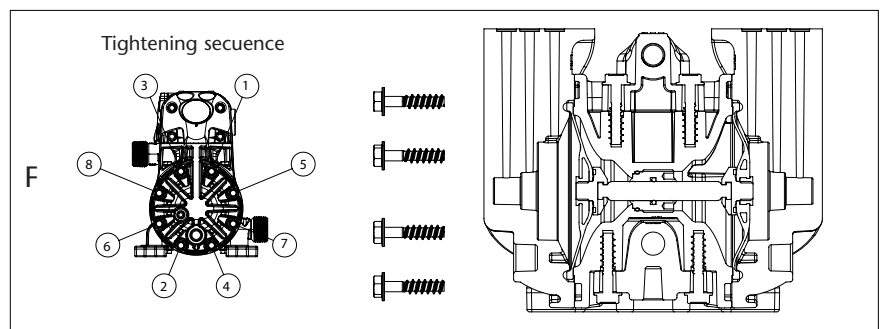
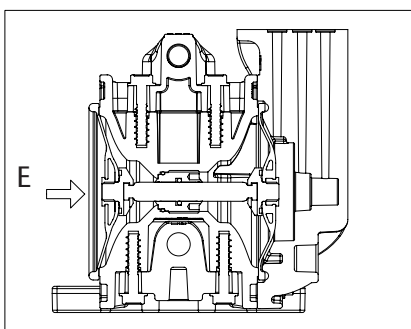
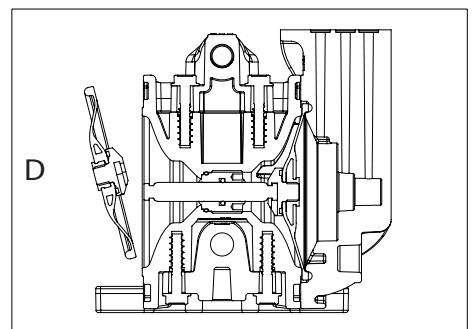
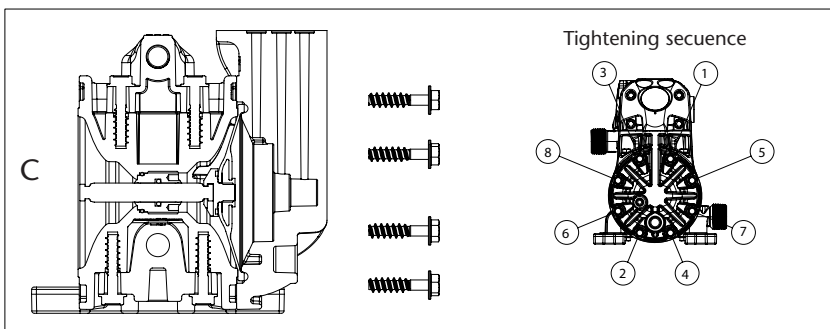
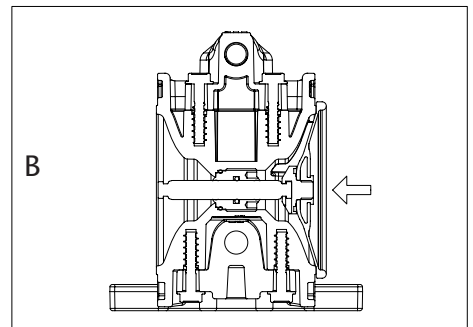
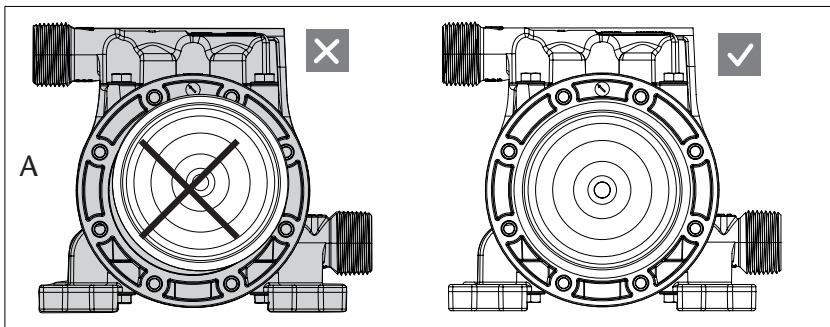
**Before any intervention: DISCONNECT AIR SUPPLY OF THE PUMP. IT IS NOT NECESSARY TO REMOVE THE PUMP FROM THE FLUID LINE.**



1. Close fluid valves.
2. Drain the fluid inside the pump. Anticipate a drainage of fluid from inside the pump.
3. Remove the directional valve while being careful not to damage the seals shown in the figure.
4. Remove the diaphragm cap.  
NOTE: To tighten these screws you must use a torque wrench calibrated to (see torque table in this page).
5. Remove the cover by gently pulling back.
6. Remove the used diaphragm and place the new one in the proper position. Assemble cover according to the following table:

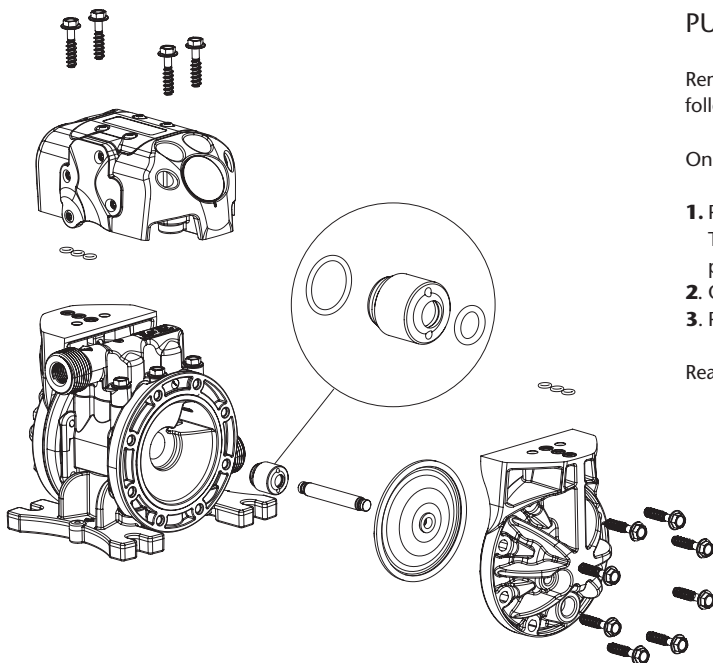
	PP body	PP conductive body	POM conductive body
	5 N·m	4.2 N·m	5 N·m

7. Same procedure in other diaphragm.
8. Assemble the directional valve checking all O-rings seals are placed and tighten the screws with a maximum torque of 44 lbf.in (5 N.m).



2019\_11\_06-13:00

## REPAIR AND MAINTENANCE PROCEDURES



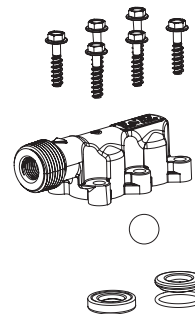
### PUSHING ROD

Remove the side cover on the right of the fluid inlet as shown in the figure, following the procedure to "Replace diaphragms".

Once the shaft is visible, use the following procedures:

1. Remove the shaft from its housing by pulling it from one end. The Teflon® sleeve is threaded into the body. To remove use snap ring pliers in the two holes indicated in the figure.
2. Once the cap has been removed, remove the quad ring inside the pump body.
3. Replace the kit following the correct order shown in the assembly drawing.


Reassemble the pump in reverse order.



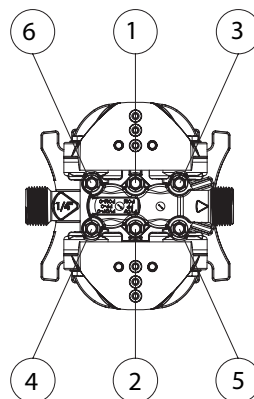
### BALL VALVES REPLACEMENT

1. Close fluid valves.
2. Drain the fluid from inside the pump. Anticipate a drainage of fluid from inside the pump.
3. Loosen the screws to remove the directional valve. Take special care with the O-ring seals and the orientation of the directional valve.
4. Remove the inlet and outlet manifolds. Take note of the orientation of the manifolds.
5. Install a new set of valves and/or seats according to the assembly drawing. Once the seats and seals are mounted, the seals should be visible.
6. Tighten the manifold screws following the tighten sequence according to the table:

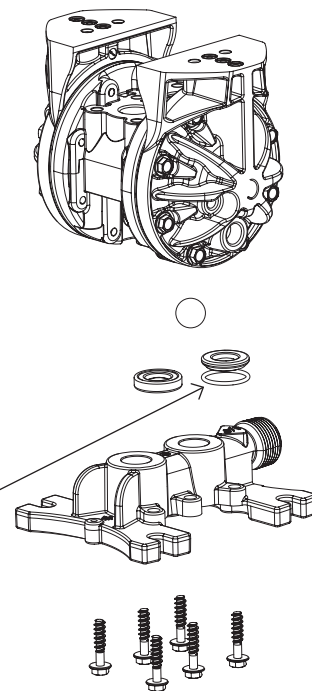
**IMPORTANT:** Always approximate manifold screws before final tightening.

	PP body	PP conductive body	POM conductive body
	5 N·m	4.2 N·m	5 N·m

7. Assemble the directional valve checking all O-rings seals are placed and tighten the screws with a maximum torque of 44 lbf.in (5 N·m).



**IMPORTANT:** When doing a pump maintenance that implies manifold disassembling and pump is fitted with PTFE o-rings (white colour), they must be replaced by new ones in order to avoid fluid leakages".




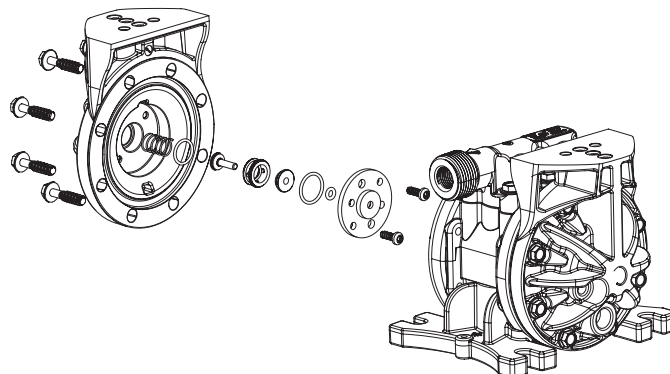
### AIR SENSOR (ONLY FOR MODELS WITH DIRECTIONAL VALVE)

The air sensors are on the inside part of the diaphragm covers. To access them, follow the procedure for "Replacing diaphragms".

Once removed the covers following procedure:

1. Remove the two screws that secure the air sensor to the top.
2. Remove all components of the sensor. Clean the area.
3. Introduce new components in the order shown and tigh the two screws sensor with a torque 1.5 N·m.
4. Fit the cover on the pump and tighten the screws to the body of the pump according to the table:

	PP body	PP conductive body	POM conductive body
	5 N·m	4.2 N·m	5 N·m



2019\_11\_06-13:00

## ADVERTENCIAS Y PRECAUCIONES

En este documento usted encontrará advertencias y precauciones para la instalación, uso y mantenimiento de las bombas. A continuación le indicamos el significado de los símbolos y mencionamos unas advertencias generales que usted debe tener en cuenta.

**ADVERTENCIA:** Este símbolo alerta de que si no se siguen las instrucciones indicadas se puede producir una situación de lesión grave o muerte.

**ATENCIÓN:** Este símbolo alerta de daños o destrucción del equipamiento si no se siguen las instrucciones.

**ADVERTENCIA:** ¡LEA ATENTAMENTE EL MANUAL DE INSTRUCCIONES Y SUS ADVERTENCIAS ANTES DE EMPEZAR A OPERAR CON EL EQUIPO!

- Este equipo es únicamente para uso profesional.
- No altere la integridad del equipo. Use solamente componentes originales de Samoa Industrial, S.A.
- Los fluidos no adecuados para la bomba pueden causar daños a la unidad de la bomba e implicar riesgo de graves daños personales. Consulte siempre al distribuidor de Samoa Industrial, S.A. si se tiene alguna duda sobre la compatibilidad de los fluidos con los materiales de la bomba, incluyendo los elastómeros.
- Instale y use siempre la bomba según la normativa y la legislación sanitaria y de seguridad, tanto local como nacional.
- La bomba puede producir presiones de fluido iguales a la presión de alimentación del aire. No exceder la presión máxima permitida de alimentación de aire de 7 bar (115 psi). La presión hidráulica total (presión del sistema + presión diferencial) no deberá exceder nunca 7 bar (115 psi).
- No utilice nunca una bomba que tenga fugas o daños, esté corroída o de otra forma carezca de la capacidad para contener el fluido interno o la presión del aire.
- Compruebe con frecuencia que los tornillos de las tapas de la bomba están correctamente ajustados.
- No use modelos cuya parte húmeda esté basada en aluminio para productos de consumo humano, es posible que existan trazas de plomo.
- Peligro de explosión si se usa 1,1,1-tricloroetano, cloruro de metileno u otros disolventes de hidrocarburos halogenados en sistemas de fluido a presión que tengan componentes de aluminio humedecido. Podría causar graves daños materiales y personales incluso mortales.
- En el interior de la bomba, dos membranas separan el fluido bombeado de la alimentación de aire. Si se rompe una membrana, el fluido puede salir proyectado por el orificio de evacuación de aire.
- Cuando se manejen fluidos peligrosos, conecte siempre el orificio de evacuación de aire a un recipiente adecuado y situado en un lugar seguro. (Sistema de conexión opcional a petición del cliente. No se suministra con el equipo).
- Cuando la fuente de producto se encuentre a un nivel más elevado que la bomba (aspiración inundada), la impulsión deberá ser dirigida por un tubo a un nivel más alto que el producto para impedir los derrames causados por derivación sifónica.
- En las bombas que manejen fluidos peligrosos para las personas o el medio ambiente, se debe instalar algún tipo de recipiente o contenedor para recoger posibles fugas y evitar su derrame.
- Asegúrese de que el operario de este equipo esté formado en cuanto a la operación, limitaciones y uso de equipamiento de seguridad como gafas de seguridad u otro equipamiento requerido.

## DESCRIPCIÓN

La bomba de membrana neumática es una bomba aspirante e impelente de desplazamiento positivo, accionada por aire y con dos cámaras de bombeo. Dos membranas ubicadas centralmente en las cámaras, separan el aire comprimido (lado seco) del fluido bombeado (lado húmedo). Las membranas están conectadas entre sí mediante un eje flotante cuyo funcionamiento permite la minimización del flujo pulsante. Una válvula (motor neumático) distribuye el aire de una cámara a la otra alternativamente, produciendo así un movimiento recíproco de las membranas.

En cada embolada, una de las membranas desplaza el fluido, mientras que la membrana opuesta aspira nuevo fluido al interior de la cámara de expansión. Cuatro válvulas de bola, dos en el lado de aspiración y dos en el lado de impulsión, controlan y dirigen el flujo del fluido.

MATERIALES	TEMPERATURA DE TRABAJO
PTFE	5 °C - 105 °C / 41 °F - 221 °F
NBR	10 °C - 80 °C / 50 °F - 176 °F
Acetal	10 °C - 90 °C / 50 °F - 194 °F
Hytrel®	10 °C - 90 °C / 50 °F - 194 °F
Santoprene®	-29 °C - 135 °C / -20 °F - 275 °F
Viton®	-10 °C - 120 °C / -4 °F - 248 °F
Polipropileno	10 °C - 80 °C / 50 °F - 176 °F

## INSTALACIÓN

- Retire la bomba de la caja e instálela en el lugar elegido.
- Trate de reducir al mínimo la altura de aspiración.
- Recuerde disponer de espacio suficiente alrededor de la bomba para realizar las tareas de mantenimiento.
- Tenga siempre en cuenta usar correctamente la entrada y la salida de la bomba.
- En caso de fallo del diafragma el escape de aire de la bomba puede contener lodo.
- Cuando la bomba se instala en un lugar en el que pueda tener lugar un impacto en el medio ambiente, el escape debe orientarse hacia un lugar donde no haya impacto ambiental.
- Cuando instale la bomba en su lugar, utilice los soportes en la base y asegure la bomba fijándola con los tornillos de amarre.
- Apriete todos los tornillos de las tapas de la bomba.

### LAS BOMBAS DC SON MUY FLEXIBLES Y FÁCILES DE INSTALAR. INUNDADA:

El sistema de bombeo se diseñó para presión positiva en la aspiración. Esta es la mejor forma de instalación cuando se necesite evacuar todo el líquido del bidón o depósito, o cuando se trabaje con fluidos viscosos. No recomendada para fluidos peligrosos.

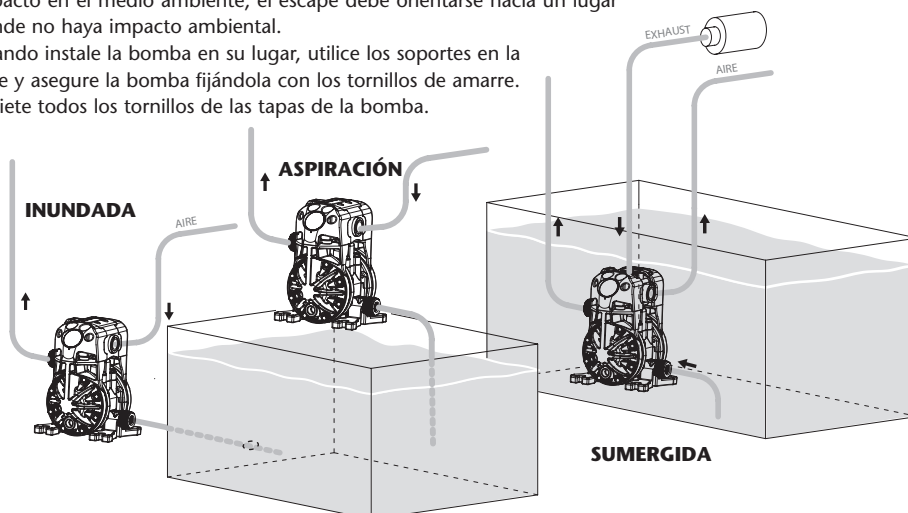
### ASPIRACIÓN:

La bomba DC está diseñada para generar vacío en la aspiración. Es posible evacuar todo el aire de una manguera o tubería sin dañar la bomba. La altura máxima de succión es de 2 m (6 1/2") con la manguera de succión vacía y hasta 7 m (23") con la manguera cebada.

### SUMERGIDO:

Todas las bombas DC se pueden sumergir en los fluidos. Es importante que verifique que todos los componentes que están en contacto con el fluido son químicamente compatibles. En este caso, las salidas de aire y fluido deben ser conducidas al exterior mediante mangueras. (Sistema de conexión de aire opcional).

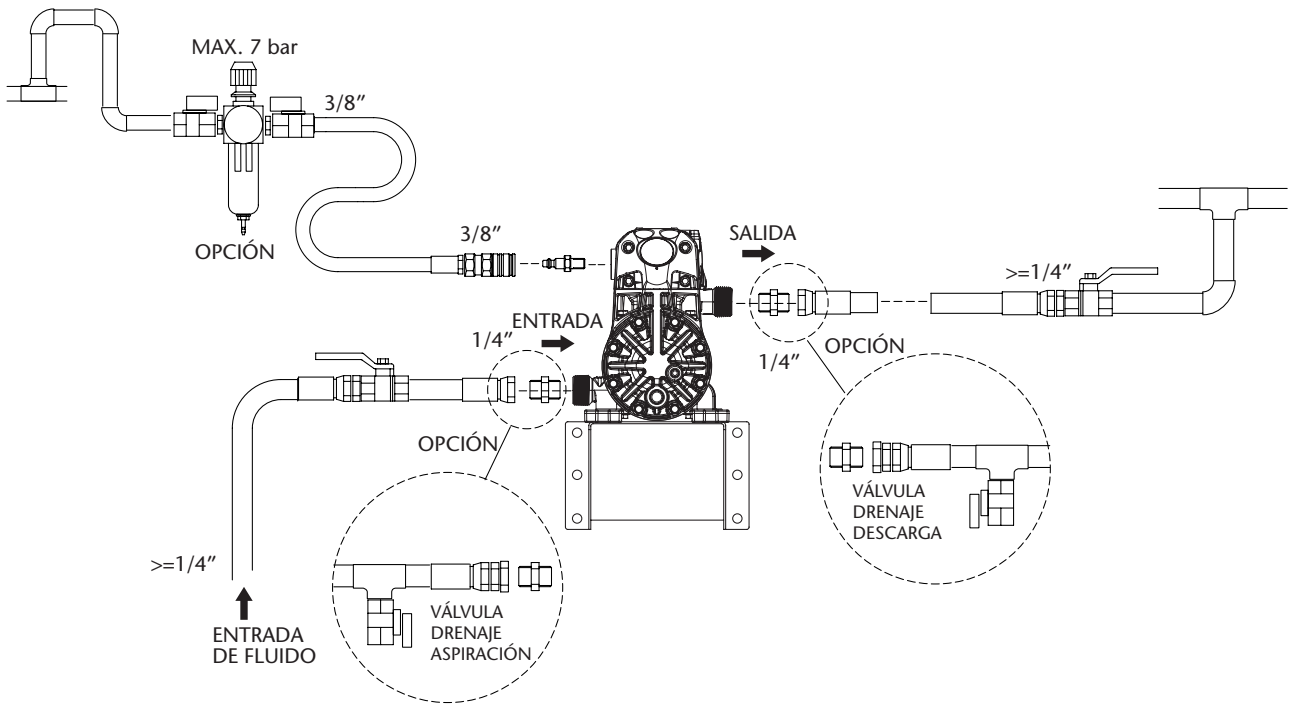
**NOTA:** Utilice un regulador de presión con filtro incorporado en la entrada de aire.



# INSTALACIÓN

## INSTALACIÓN RECOMENDADA

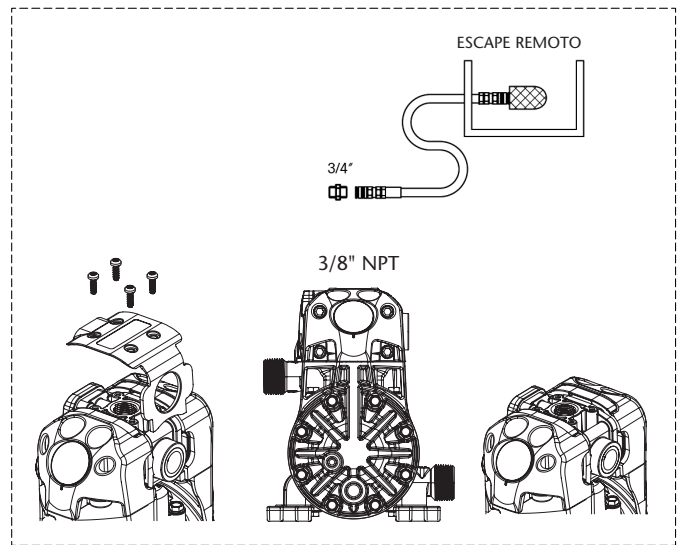
El esquema de abajo muestra la configuración de la instalación recomendada para una bomba de diafragma. Lea las advertencias y recomendaciones de la página anterior antes de realizar dicha instalación.



### DISPOSICIÓN DEL ESCAPE EXTERIOR

#### **ADVERTENCIA**

- Es necesario el kit opcional de salida conducida.
- Retire los 4 tornillos y el tapón del aire.
- Conecte esa manguera al adaptador e instale un silencioso al otro lado de la manguera. Use esa manguera con el mismo diámetro de manguera y conexiones de 3/8" NPT.
- Disponga un foso, una caja de protección, etc. en el extremo de la manguera.



2019\_11\_06-13:00

### CONEXIÓN TOMA DE AIRE

#### **ADVERTENCIA**

Para que el suministro de aire sea suficiente para satisfacer la demanda de la bomba, el diámetro de la tubería debe ser igual al diámetro del orificio de suministro de la bomba. También elija equipos auxiliares y materiales con suficiente flujo de aire para el consumo de aire de la bomba.

También considere el uso y la estabilidad de la presión de aire. Además, el equipo periférico debe estar instalado lo más cerca posible de la unidad de la bomba.

El uso de un acoplador para conectar cada manguera facilita la operación y las tareas de mantenimiento.

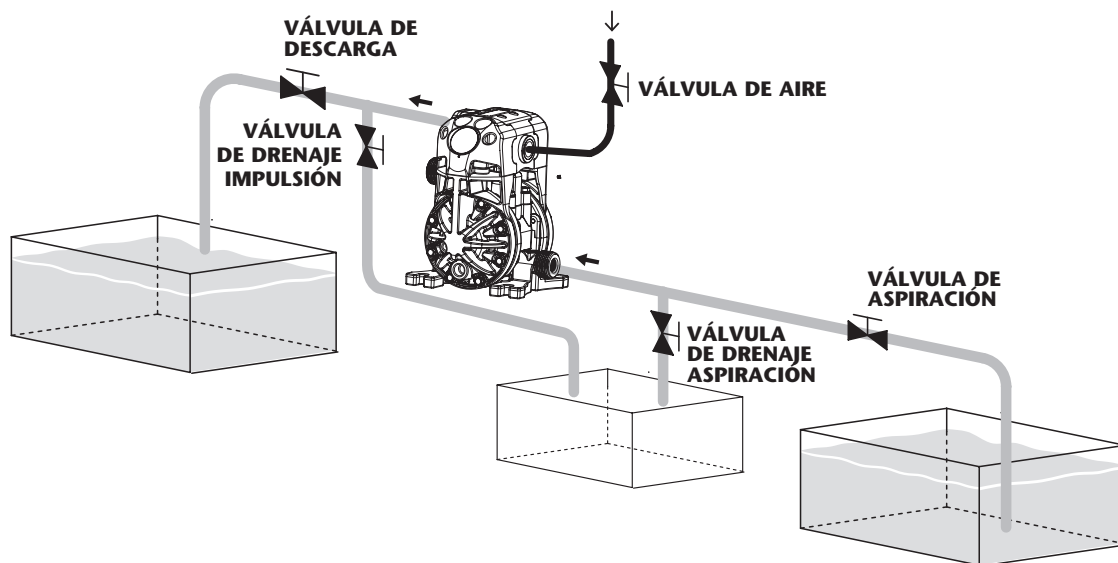
## MODO DE OPERACIÓN

### ESTA BOMBA ES AUTO-CEBANTE.

Para cebarla la primera vez, es conveniente conectar el aire a la bomba a la presión deseada con el regulador de presión, manteniendo la válvula de salida abierta. Cuando el fluido empieza a salir, la bomba está cebada. Para su regulación mediante presión de fluido se debe alimentar con presión de aire comprendida entre 1 y 7 bar (14 - 100 psi). Ajuste la válvula de impulsión en el lado de descarga. Para la relación entre el flujo, la presión de suministro de aire y la presión de descarga, vea la curva de capacidad en la página 17.

### PARADA DE LA BOMBA PARA TANQUES DE MANTENIMIENTO

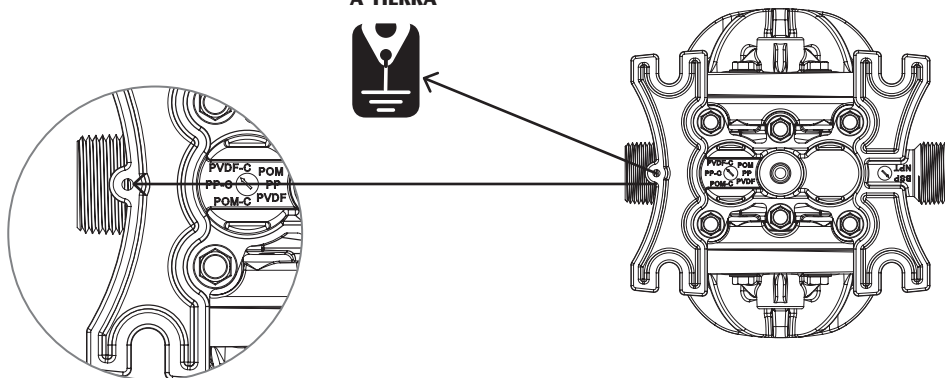
- Cierre la válvula de entrada de fluido de la bomba y corte el suministro de aire.
- Compruebe por su seguridad que la válvula de aire de la bomba esté cerrada.
- Cierre las válvulas de aspiración y descarga. Abra las válvulas de drenaje (aspiración e impulsión).
- Abra la válvula de aire de la bomba, ponga en funcionamiento la bomba y descargue el fluido remanente.
- Cierre la válvula de aire.
- Asegúrese de que la bomba se ha detenido y no existe presión en las líneas de fluido. La bomba está lista para el mantenimiento.



### CONEXIÓN A TIERRA

- Cuando instale la bomba, asegúrese de realizar la conexión a tierra en el lugar especificado.
- Conecte también conductores a tierra para los equipos auxiliares y las tuberías.
- Utilice un cable con conexión a tierra de por lo menos 2,0 mm<sup>2</sup>.
- Si la bomba que ha adquirido es válida para ATEX, a este manual lo acompañará uno específico para ATEX. Lea este manual antes de operar con la bomba.
- Si la bomba viene marcada con el símbolo esta puede ser usada en atmósferas potencialmente explosivas. Debajo de este símbolo, en la placa de identificación de la bomba, vienen indicadas las zonas para las que el equipo está aprobado. Encontrará también la temperatura de superficie máxima permitida en la placa de su bomba.

#### POSICIÓN DEL CABLE A TIERRA



**SAMOA** PATENTED MADE IN SPAIN  
 MODEL: DC20 (20 l/min)   
 CODE: DC20ADN23TTCAS 0103  
 MFG. DATE: 09/16 112 60   
 SERIAL No.: 0000002 118/11C 95°C  
 LOM 1047870165X

### ADVERTENCIA

- Asegúrese de conectar conductores a tierra para la bomba, tuberías y otros equipos conectados.
- Cuando la bomba opera sin conexión a tierra o con una conexión incorrecta, la fricción entre las piezas y la abrasión causada por algunos fluidos que fluyen dentro de la bomba pueden generar electricidad estática. Además, según el tipo de fluido a bombear y el ambiente de la instalación (como gases en el aire o el tipo de las instalaciones circundantes) la electricidad estática puede ser causa de incendio o choque eléctrico.

## POSIBLES AVERÍAS Y SOLUCIONES

<b>LA BOMBA NO FUNCIONA</b>	
<b>Causa</b>	<b>Medida a tomar</b>
La válvula de impulsión en el lado de descarga no está abierta.	Abra la válvula de impulsión en el lado de descarga.
No llega aire.	Encienda el compresor y abra la válvula de aire y el regulador de aire.
La presión de suministro de aire es baja.	Revise el compresor y la configuración de la tubería de aire.
Fugas de aire en elementos de conexión.	Revise los elementos de conexión y el apriete de los tornillos.
La tubería de aire o el equipo auxiliar está obstruido con lodo.	Revise y limpie la tubería de aire.
El orificio de escape (silenciador) de la bomba está obstruido con lodo.	Revise y limpie el orificio de escape y el silenciador.
La tubería de fluido está obstruida con lodo.	Revise y limpie la tubería de fluido.
La bomba está obstruida con lodo.	Desmonte, revise y limpie cuerpo de la bomba.

<b>LA BOMBA FUNCIONA PERO EL FLUIDO NO SALE</b>	
<b>Causa</b>	<b>Medida a tomar</b>
La válvula en el lado de succión no está abierta.	Abra la válvula en el lado de succión.
Demasiada altura de aspiración o altura de descarga.	Confirme la configuración de la tubería y reduzca la altura de la misma.
La tubería de fluido del lado de descarga (incluido el filtro) está obstruida con lodo.	Revise y limpie la tubería de fluido.
La bomba está obstruida con lodo.	Desmonte la bomba, revísela y límpiela.
Las bolas y el asiento de la bola están desgastados o dañados.	Revise y reemplace piezas defectuosas.

<b>EL FLUJO ESTÁ DISMINUYENDO</b>	
<b>Causa</b>	<b>Medida a tomar</b>
La presión de suministro de aire es baja.	Revise el compresor y la configuración de la tubería de aire.
La tubería de aire o el equipo periférico está obstruido con lodo.	Revise y limpie la tubería de aire.
La válvula de impulsión del lado de descarga no se abre normalmente.	Ajuste la válvula de impulsión del lado de descarga.
El aire se mezcla con el fluido.	Vuelva a llenar de fluido y revise la configuración de la tubería del lado de succión.
Se produce cavitación.	Ajuste la presión de suministro de aire y la presión de descarga y reduzca la altura de aspiración.
Se producen vibraciones.	Ajuste la presión de suministro de aire y la presión de descarga. Disminuya el flujo de la válvula de entrada para ajustar la presión y el volumen de fluido.
Formación de hielo en el escape de aire.	Elimine el hielo de la válvula de desvío de aire y revise y limpie el filtro de aire. Utilice una tubería en el escape de aire para que el hielo no se forme en el silenciador.
La tubería de fluido (incluido el filtro) está obstruida con lodo.	Revise y limpie la tubería de fluido y el colador.
El orificio de escape (silenciador) de la bomba está obstruido con lodo.	Revise y limpie el orificio de escape y el silenciador.
La bomba está obstruida con lodo.	Desmonte, revise y limpie el cuerpo de la bomba.

<b>FUGAS DE FLUIDO POR EL ORIFICO DE ESCAPE (SILENCIADOR)</b>	
<b>Causa</b>	<b>Medida a tomar</b>
El diafragma está dañado.	Desmonte y revise la bomba y reemplace el diafragma.

<b>RUIDO IRREGULAR</b>	
<b>Causa</b>	<b>Medida a tomar</b>
La presión de suministro de aire es demasiado alta.	Ajuste la presión de suministro de aire.
La bomba está obstruida con lodo de partículas más grandes que el diámetro permitido.	Desmonte, revise y limpie el cuerpo de la bomba.

<b>EL FLUIDO SALE CON BURBUJAS DE AIRE</b>	
<b>Causa</b>	<b>Medida a tomar</b>
Membrana dañada.	Sustituya la membrana.
Manguera de succión suelta o rota.	Apriete o sustituya.

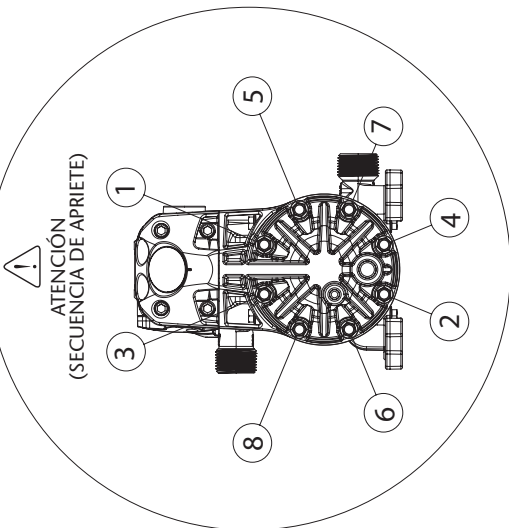
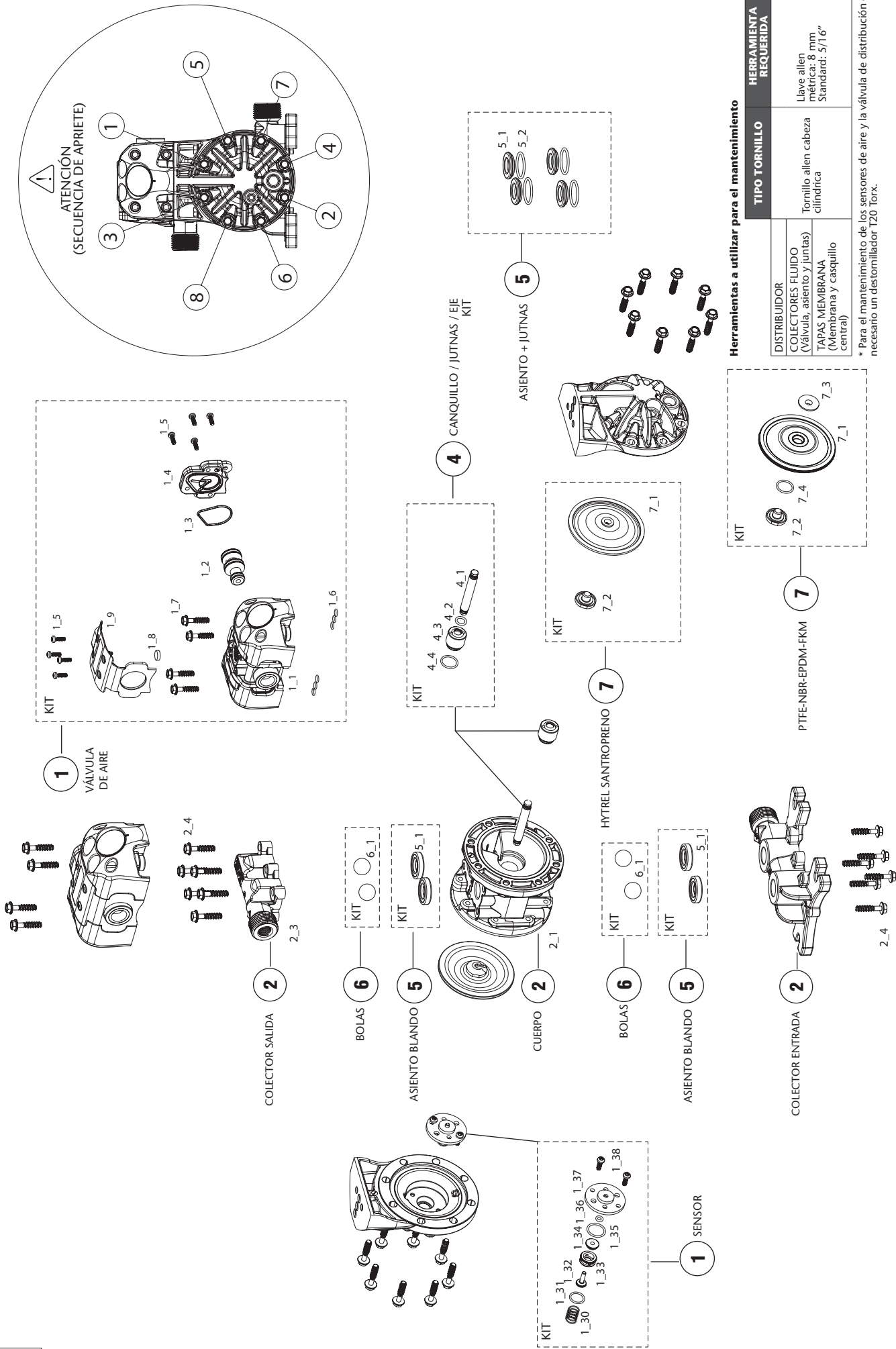
  

<b>FUGA AIRE ALIMENTADO A PRESIÓN ENTRE 3 Y 8 BAR</b>	
<b>Causa</b>	<b>Medida a tomar</b>
Desgaste del pivote del motor de aire.	Cambie el motor de aire.

<b>NO ARRANCA Y QUEDA FUGANDO AIRE SIN HACER CICLOS</b>	
<b>Causa</b>	<b>Medida a tomar</b>
Sensores de aire agarrotados.	Cambie sensor de aire.
Tambor de salida del pivote desgastado.	Cambie el tambor de salida.

DC20 BOMBA ALUMINIO, DIBUJO DE RECAMBIOS



Herramientas a utilizar para el mantenimiento

HERRAMIENTA REQUERIDA	TIPO TORNILLO
DISTRIBUIDOR	
COLECTORES FLUIDO (Válvula, asiento y juntas)	Tornillo allen cabeza cilíndrica
TAPAS MEMBRANA (Membrana y casquillo central)	Llave allen métrica: 8 mm Standard: 5/16"

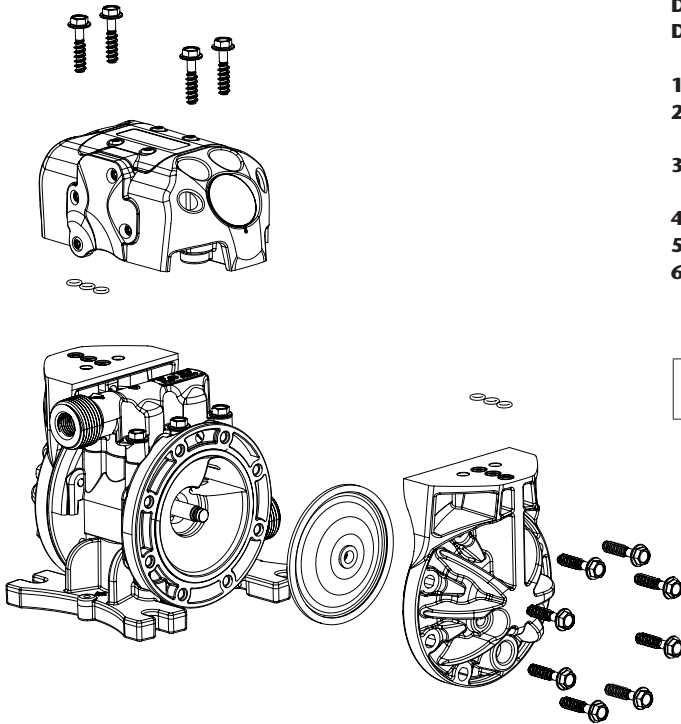
\* Para el mantenimiento de los sensores de aire y la válvula de distribución es necesario un destornillador T20 Torx.






REPARACIÓN Y MANTENIMIENTO

CAMBIO DE MEMBRANAS

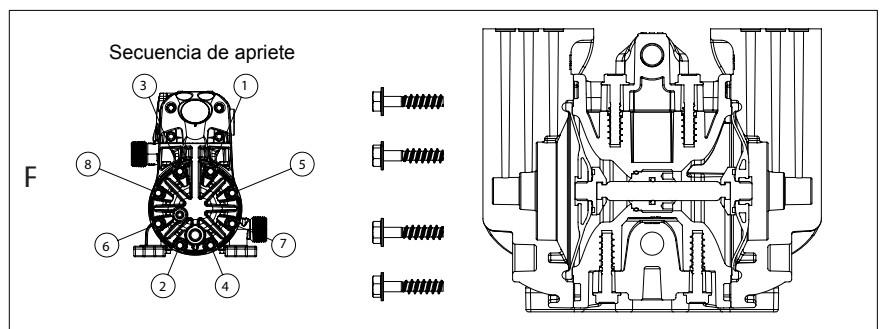
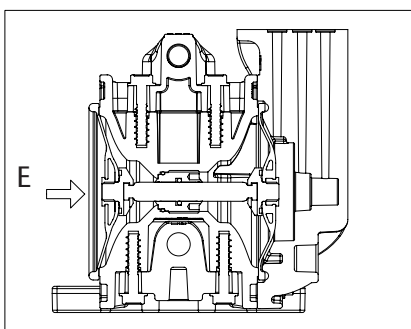
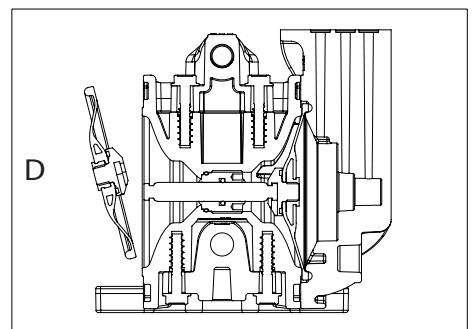
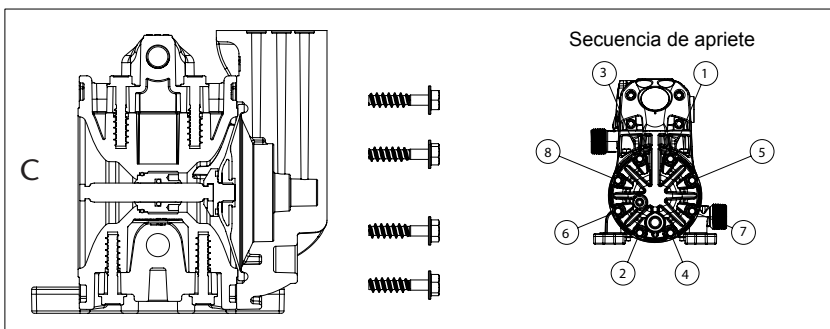
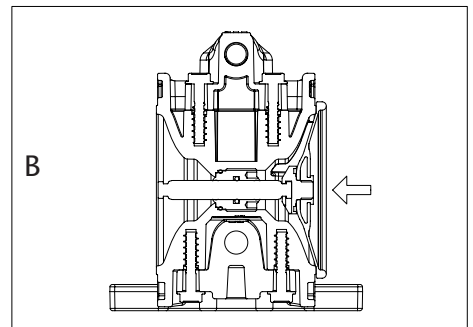
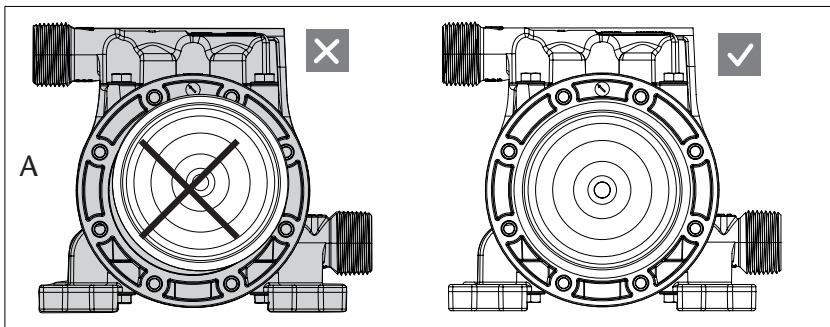


**ANTES DE CADA INTERVENCIÓN: DESCONECTAR LA ALIMENTACIÓN DE AIRE DE LA BOMBA NO ES NECESARIO DESMONTAR LA BOMBA DE LA LÍNEA DE IMPULSIÓN DE FLUIDO.**

1. Cierre las válvulas de fluido.
2. Drene el fluido del interior de la bomba. Prever un posible derramamiento de fluido del interior de la bomba.
3. Retire el distribuidor de aire con mucho cuidado de no dañar las juntas existentes entre el distribuidor y el cuerpo.
4. Desmonte la tapa de membrana.
5. Extraiga la tapa tirando suavemente hacia atrás.
6. Extraiga la membrana usada. Fíjese en la posición de la misma al extraerla. Coloque la nueva membrana en la posición adecuada. Y monte la tapa de nuevo de acuerdo con la siguiente tabla:

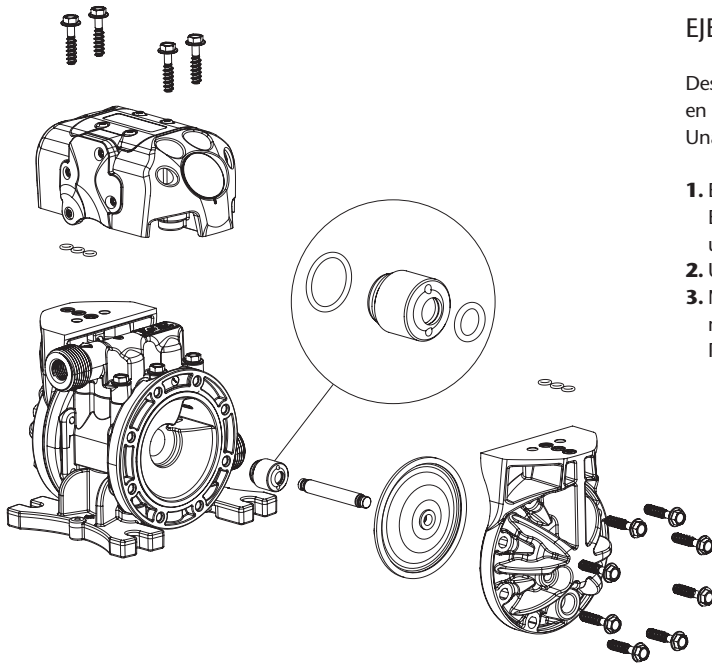
	Cuerpo PP	Cuerpo PP conductivo	Cuerpo POM conductivo
		5 N·m	4.2 N·m

7. Realice mismo procedimiento en la otra membrana.
8. Monte el motor de aire prestando atención de no dañar las juntas existentes entre distribuidor y cuerpo. Apriete los tornillos con un par de apriete máximo de 5 N·m.



2019\_11\_06-13:00

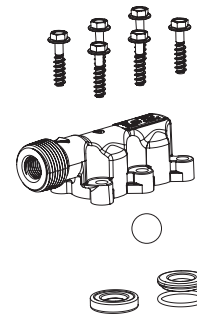
## REPARACIÓN Y MANTENIMIENTO



### EJE CENTRAL

Desmonte la tapa lateral derecha según la entrada de fluido tal como se indica en la figura, siguiendo el procedimiento para "Cambio de membranas". Una vez que se visualiza el eje, seguir los siguientes procedimientos:


1. Extraiga el eje de su alojamiento tirando de él por uno de sus extremos. El casquillo de Teflon® se encuentra roscado en el cuerpo. Para desmontar use un útil que se aloja en los dos taladros que se indican en la figura.
2. Una vez extraído el casquillo desmonte la tórica del interior del cuerpo de la bomba.
3. Monte el nuevo kit de eje central comprobando el correcto orden en el montaje de los componentes. Proceda al montaje de la bomba en orden inverso.



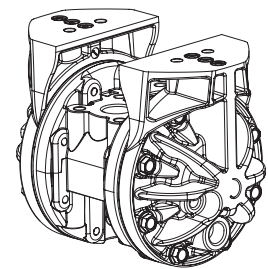
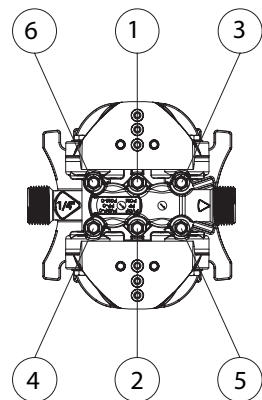
### CAMBIO DE LAS VÁLVULAS DE BOLA

1. Cierre las válvulas de fluido.
2. Drene el fluido del interior de la bomba. Prever un posible derramamiento de fluido del interior de la bomba.
3. Afloje los tornillos para desmontar el motor de aire. Preste especial cuidado a las juntas.
4. Desmonte los colectores de fluido.
5. Sustituya las válvulas, los asientos y las juntas si las tuviera. Una vez montados los asientos con las juntas, esta debe quedar visible.
6. Apriete los tornillos siguiendo la secuencia en cruz de acuerdo con la siguiente tabla:

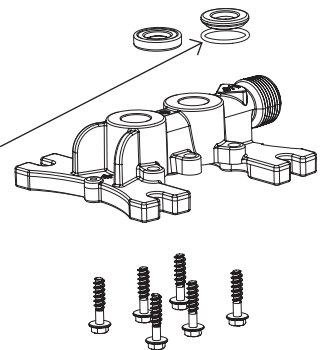
**IMPORTANTE:** Aproxime los tornillos del colector antes de apriete final.

	Cuerpo PP	Cuerpo PP conductivo	Cuerpo POM conductivo
	5 N·m	4.2 N·m	5 N·m

7. Monte el motor de aire prestando atención de no dañar las juntas existentes entre distribuidor y cuerpo. Apriete los tornillos con un par de apriete máximo de 5 N·m.



**IMPORTANTE:** Cuando realice un mantenimiento en la bomba que implique desmontaje de los colectores y la bomba esté configurada con juntas de PTFE (color blanco), estas tienen que ser reemplazadas por unas nuevas con objeto de evitar fugas de fluido".




### SENSOR DE AIRE (SOLO PARA BOMBAS CON MOTOR DE AIRE)

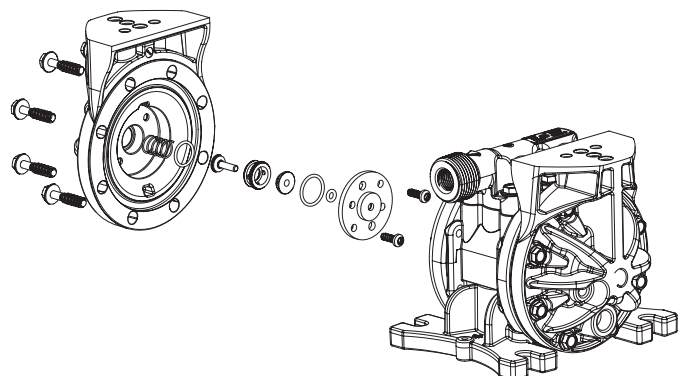
Los sensores de aire están alojados en las tapas. Para acceder a ellos seguir el procedimiento para "Cambio de membranas".

**Una vez desmontadas las tapas seguir el procedimiento siguiente:**

1. Desmonte los 2 tornillos que fijan el sensor de aire a la tapa.
2. Extraiga todos los componentes del sensor. Limpie el alojamiento de posibles suciedades.
3. Introduzca los nuevos componentes en el orden indicado y apriete los dos tornillos del sensor con un par de apriete de 1.5 N·m.
4. Monte la tapa en la bomba y apriete los tornillos de fijación al cuerpo de la bomba de acuerdo con la siguiente tabla:

	Cuerpo PP	Cuerpo PP conductivo	Cuerpo POM conductivo
	5 N·m	4.2 N·m	5 N·m

5. Monte el resto de componentes siguiendo el orden inverso.



## EC CONFORMITY DECLARATION / DECLARATION CE DE CONFORMIDAD

---

**EN**

SAMOA INDUSTRIAL, S.A., Pol. Ind. Porceyo, I-14 · Camino del Fontán, 831 · 33392 - Gijón - Spain, declares that the product(s):

**DC20** conform(s) with the EU Directive(s): **2006/42/EC**

**ES**

SAMOA INDUSTRIAL, S.A., Pol. Ind. Porceyo, I-14 · Camino del Fontán, 831 · 33392 - Gijón - España, declara que el(los) producto(s):

**DC20** cumple(n) con la(s) Directiva(s) de la Unión Europea:  
**2006/42/CE**

**For SAMOA INDUSTRIAL, S.A.  
Por SAMOA INDUSTRIAL, S.A.**



**Pedro E. Prallong Álvarez**

Production Director  
Director de Producción

2019\_11\_06-13:00